



**HONDA**

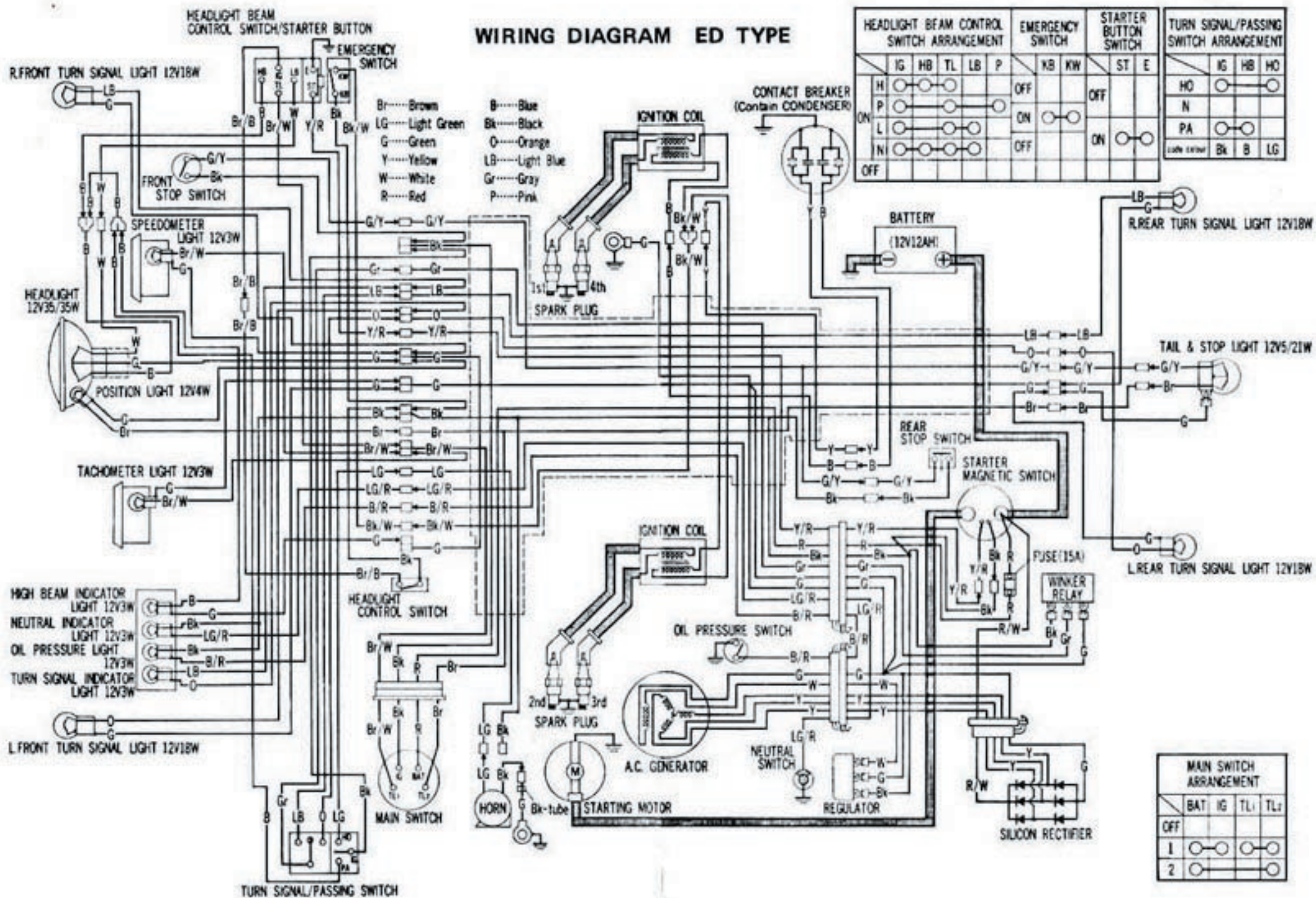
HONDA MOTOR CO., LTD. TOKYO, JAPAN

313232

Ⓢ Ⓢ F2000/50g K1  
PRINTED IN JAPAN



# WIRING DIAGRAM ED TYPE



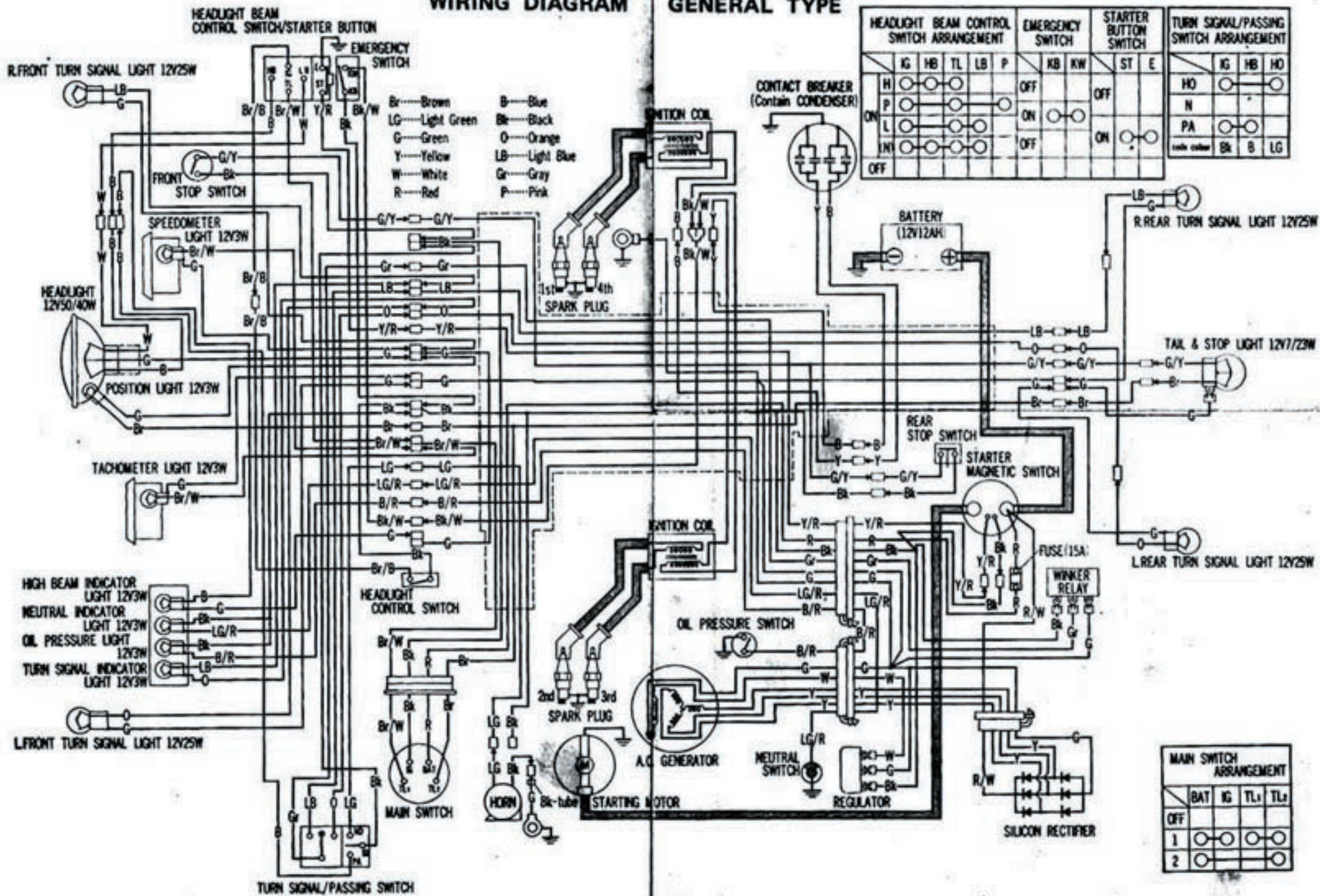
| HEADLIGHT BEAM CONTROL SWITCH ARRANGEMENT |    |    |    |    | EMERGENCY SWITCH |     | STARTER BUTTON SWITCH |     | TURN SIGNAL/PASSING SWITCH ARRANGEMENT |            |    |    |    |
|---|----|----|----|----|------------------|-----|-----------------------|-----|--|------------|----|----|----|
| H   | IG | HB | TL | LB | P                | KB  | KW                    | ST  | E                                      | IG         | HB | HO |    |
| ON  |    |    |    |    |                  | ON  |                       | ON  |  | HO         |    |    |    |
| ON  |    |    |    |    |                  | OFF |                       | OFF |  | N          |    |    |    |
| ON  |    |    |    |    |                  | OFF |                       | ON  |  | PA         |    |    |    |
| OFF                                       |    |    |    |    |                  |     |                       |     |  | Code color | Bk | B  | LG |

| MAIN SWITCH ARRANGEMENT |     |    |                                 |
|-------------------------|-----|----|---------------------------------|
|                         | BAT | IG | TL <sub>1</sub> TL <sub>2</sub> |
| OFF                     |     |    |                                 |
| 1                       |     |    |                                 |
| 2                       |     |    |                                 |



# WIRING DIAGRAM

# GENERAL TYPE



| HEADLIGHT BEAM CONTROL SWITCH ARRANGEMENT |    |    |    |    | EMERGENCY SWITCH |     | STARTER BUTTON SWITCH |     | TURN SIGNAL/PASSING SWITCH ARRANGEMENT |            |    |    |
|---|----|----|----|----|------------------|-----|-----------------------|-----|--|------------|----|----|
|   | IG | HB | TL | LB | P                | KB  | RW                    | ST  | E                                      | IG         | HB | HO |
| ON  | ○  | ○  | ○  | ○  | ○                | OFF | ○                     | OFF |  | HO         | ○  | ○  |
| P   | ○  | ○  | ○  | ○  | ○                | ON  | ○                     | ON  |  | N          |    |    |
| L   | ○  | ○  | ○  | ○  | ○                | OFF | ○                     | ON  |  | PA         | ○  |    |
| IN  | ○  | ○  | ○  | ○  | ○                | OFF | ○                     | ON  |  | each color | Bk | B  |
| OFF                                       |    |    |    |    |                  |     |                       |     |  |            |    | LG |

| MAIN SWITCH ARRANGEMENT |     |    |                                 |
|-------------------------|-----|----|---------------------------------|
|                         | BAT | IG | TL <sub>1</sub> TL <sub>2</sub> |
| OFF                     |     |    |                                 |
| 1                       | ○   | ○  | ○                               |
| 2                       | ○   | ○  | ○                               |